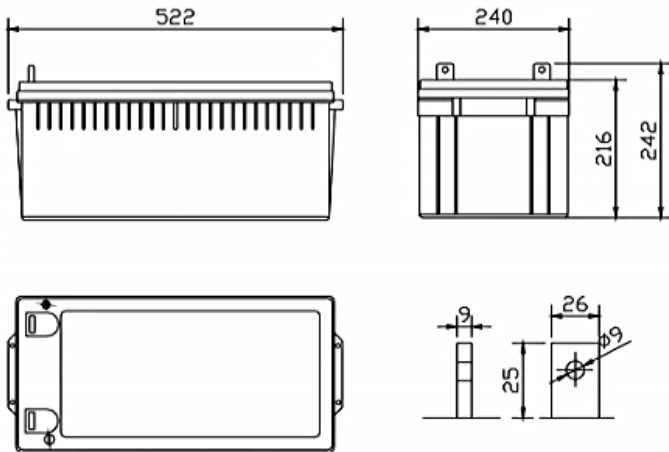
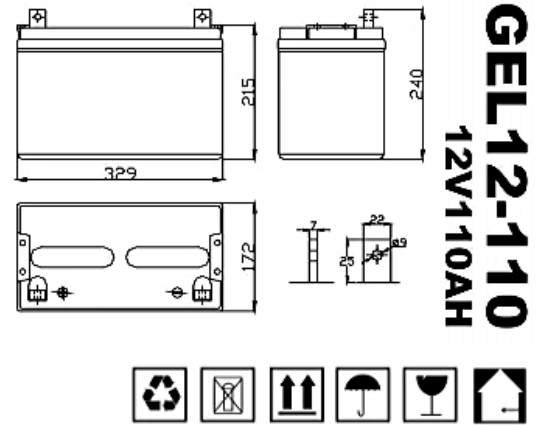


## POWERING SOLUTIONS

# GEL 12-220 DEEP CYCLE GEL



**GEL 12-220**  
12V220AH

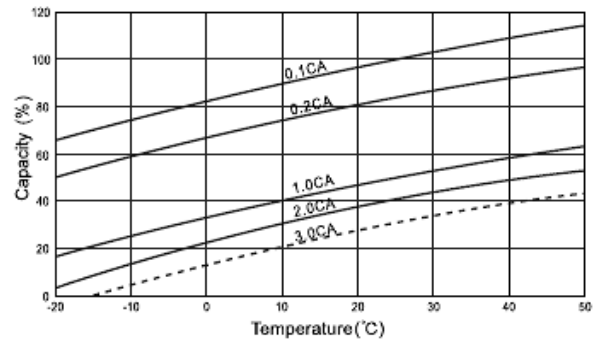


**GEL 12-110**  
12V110AH



BATTERY	GP12V110AH	GP12V220AH
Type	Valve Regulated Rechargeable Battery	
Voltage Charge	Constant	
Cycle Use	2.40-2.45VPC	
Standby Use	2.20-2.30VPC	
Initial Current	Less than 30A	Less than 60A
<b>Nominal capacity 25°C</b>		
20 hour rate (5.3A, 10.5V)	110Ah	220Ah
10 hour rate (10.0A, 10.5V)	100Ah	200Ah
5 hour rate (217.5A, 10.5V)	87.5Ah	179Ah
1 hour rate (66.2A, 9.6V)	66.2Ah	126Ah
Internal Resistance	<5.7mOhms	<4.0mOhms
Approx. Weight (kg)	33	65

Temperature Effects On Capacity



Cycle service life in relation to depth of discharge

